

# SHROUDED LATCH HEADER

.100" [2.54] CENTERLINE



## SPECIFICATIONS

### Material:

**Insulator:** PBT, glass reinforced thermoplastic, rated UL 94V-0  
**Contacts:** Phosphor Bronze

### Plating:

**G** - 5 µin gold over 50 µin nickel underplate  
**S** - 5 µin gold on contact area and 100 µin tin-lead on solder-tails

### Electrical:

**Operation voltage:** 250 VAC max  
**Current rating:** 1 Amp max  
**Contact resistance:** 15 mΩ max  
**Insulation resistance:** 1000 MΩ min @ 500 VDC between adjacent contacts (75°F and 50% R.H.)  
**Dielectric withstanding voltage:** 500 VDC min rms (sea level)

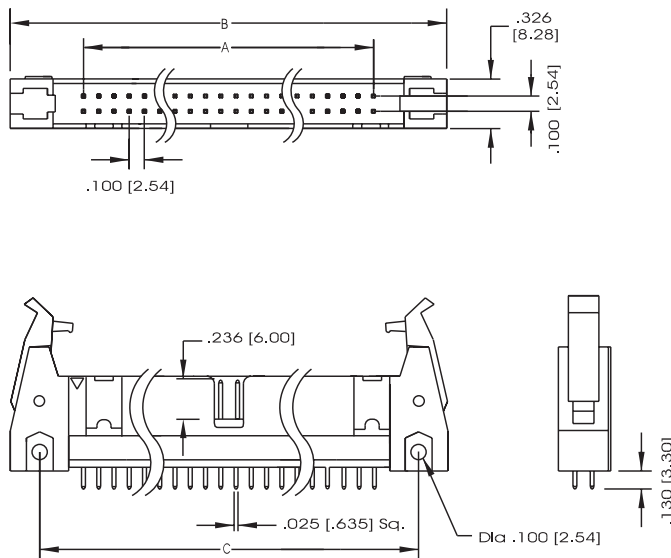


## ORDERING INFORMATION

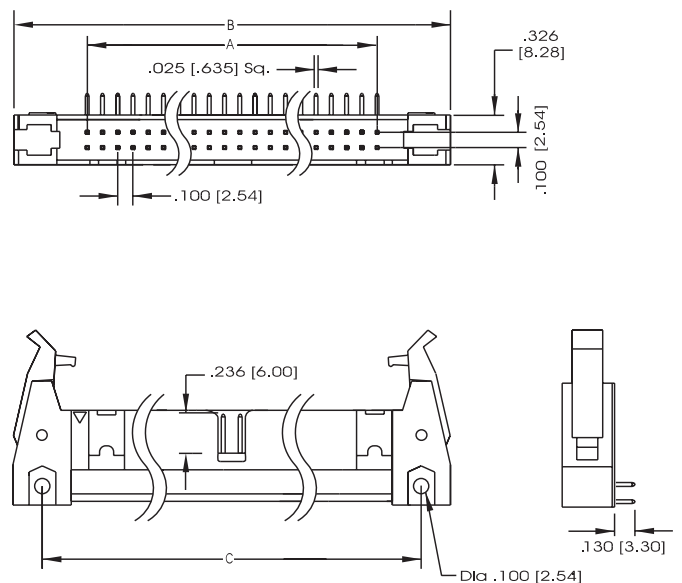
choose one from each category as shown in sample below

PHH	40	S	G	1
Series	Positions	Mounting Angle	Plating	Latch Size
PHH - .100" Shrouded Latch Header	10, 14, 16, 20, 26, 30, 34, 40, 50, 56, 60, 64	S - Straight Mount R - Right Angle Mount	G - Full Gold Plated S - Gold on contact area tin-lead on solder tails	1 - Short Latch 2 - Long Latch for use over strain relief

## STRAIGHT PCB MOUNT

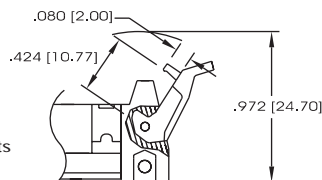


## RIGHT ANGLE PCB MOUNT



## LATCH OPTIONS

**Latch Option 1**  
Header with Short Ejector/Latch for sockets with strain relief



**Latch Option 2**  
Header with Long Ejector/Latch for sockets without strain relief

