

2.00mm PIN HEADER

.079" [2.00mm] SINGLE ROW / DUAL ROW - THROUGH HOLE



SPECIFICATIONS

Material:

Insulator: PBT, glass reinforced thermoplastic, rated UL 94V-0
Contacts: Phosphor Bronze

Plating:

G - 5 µin gold over 50 µin nickel underplate
S - 5 µin gold on contact area and 100 µin tin-lead on solder-tails
T - 100 µin tin-lead over 50 µin copper underplate

Electrical:

Operation voltage: 250 VAC max
Current rating: 1 Amp max
Contact resistance: 15 mΩ max
Insulation resistance: 1000 MΩ min @ 500 VDC between adjacent contacts (75°F and 50% R.H.)
Dielectric withstanding voltage: 500 VDC min rms (sea level)



ORDERING INFORMATION

choose one from each category as shown in sample below

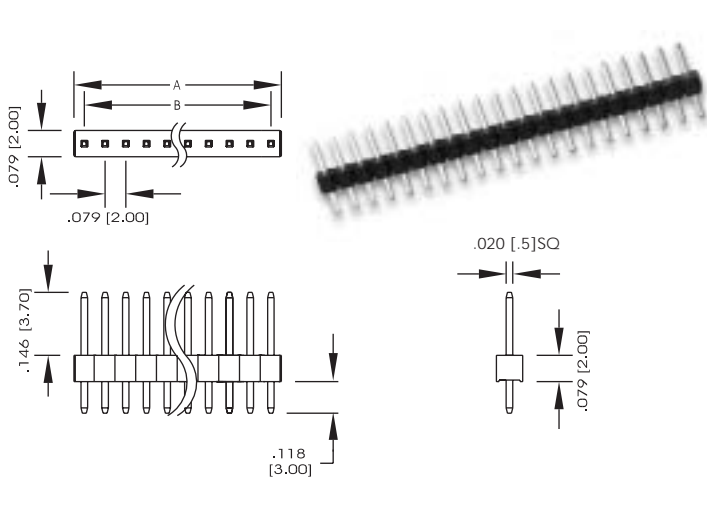
PSS	20	G
Series	Positions	Plating
PSS - 2.00mm Box Header Straight PCB Mount	16, 20, 26, 34, 40, 44, 50, 68	G - Full gold plating S - Gold on contact area tin-lead on solder tails T - Full tin plating
PSR - 2.00mm Box Header Right Angle PCB Mount Specifications Pg. 89		

ORDERING INFORMATION

choose one from each category as shown in sample below

PHJ	1	10	G	Options
Series	No. of Rows	Total Positions	Plating	
PHJ - 2mm Straight Pin Header PHL - 2mm Right Angle Pin Header	1 - Single Row 2 - Dual Row 4 - Four Row	Single Row - 01-40 Dual Row - 02-80 Four Row - 08-120	G - Full Gold Plating S - Gold on contact area tin-lead on solder tails T - Full Tin Plating	H - Hi-Temp insulator P - Guide Peg M - Right Angle SMT Mount MA - Dual Row SMT Mount MB - Single Row Right SMT Mount MC - Single Row Left SMT Mount

PHJ-1 THROUGH HOLE



PHL-1 THROUGH HOLE

