

PLCC SOCKET - SMT

CHIP CARRIER SOCKET SURFACE MOUNT

SPECIFICATIONS

Material:

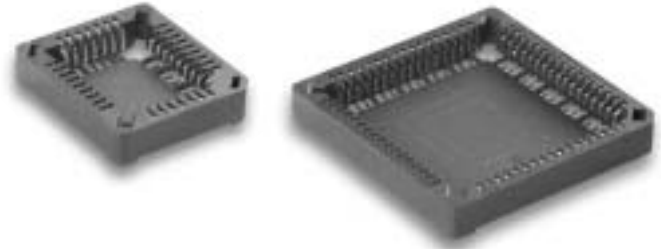
Insulator: High temp PPS, glass reinforced rated UL 94V-0
Contacts: Phosphor Bronze

Plating:

100 μ m bright tin-lead plate with 50 μ m copper underplate or 5 μ m gold on contact area with tin-lead solder tails

Electrical:

Operation voltage: 250 VAC max
Current rating: 1 Amp max
Contact resistance: 20 m Ω max
Insulation resistance: 1000 M Ω min @ 600 VDC between adjacent contacts (75°F and 50% R.H.)
Dielectric withstanding voltage: 600 VDC min rms (sea level)
Capacitance: 1.0 pF max between adjacent contacts

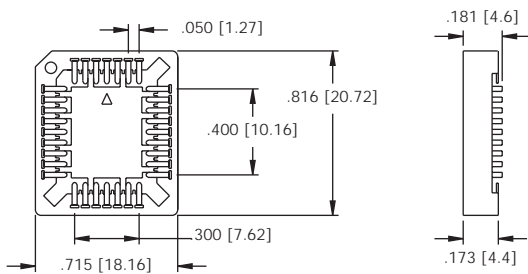


ORDERING INFORMATION

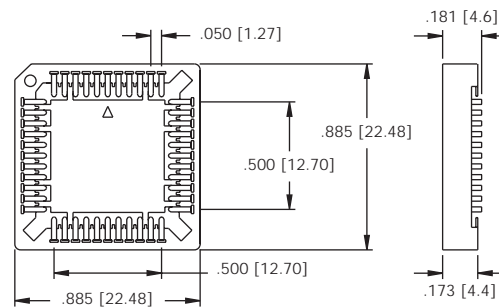
choose one from each category as shown in sample below

PMT	32	T	Options
Series	Positions	Plating	(add as suffix to part number)
PMT - SMT Plastic Leaded Chip Carrier Socket	20, 28, 32, 44, 52, 68, 84	T - Tin-plated G - Gold-plated	P - Locating Pegs TR - Tape and Reel

32P



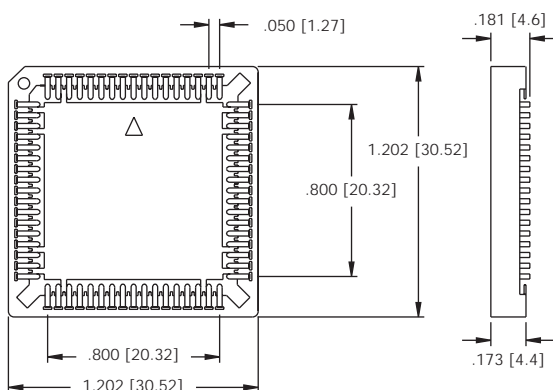
44P



Dimensional:

Pos.	A	B
32	0.433 [11.00]	0.533 [13.54]
44	0.633 [16.08]	0.633 [16.08]
68	0.933 [23.70]	0.933 [23.70]
84	1.130 [28.70]	1.130 [28.70]

68P



84P

