

PLCC SOCKET

CHIP CARRIER SOCKET THROUGH HOLE



SPECIFICATIONS

Material:

Insulator: PBT UL 94V-0 or optional High temp PPS UL 94V-0
Insulator color: PBT-Black; PPS-Dark Brown
Contacts: Phosphor Bronze

Plating:

100 μ m bright tin-lead plate with 50 μ m copper underplate or 5 μ m gold. (optional 30 μ m).

Electrical:

Operation voltage: 250 VAC max
Current rating: 1 Amp max
Contact resistance: 20 m Ω max
Insulation resistance: 1000 M Ω min @ 600 VDC between adjacent contacts (75°F and 50% R.H.)
Dielectric withstanding voltage: 600 VDC min rms (sea level)
Capacitance: 1.0 pF max between adjacent contacts



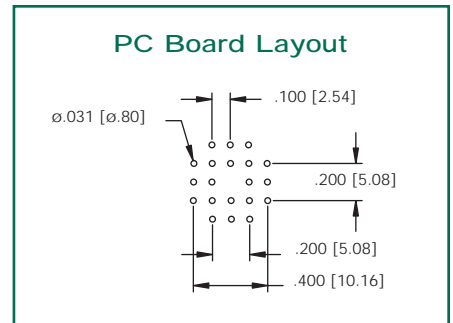
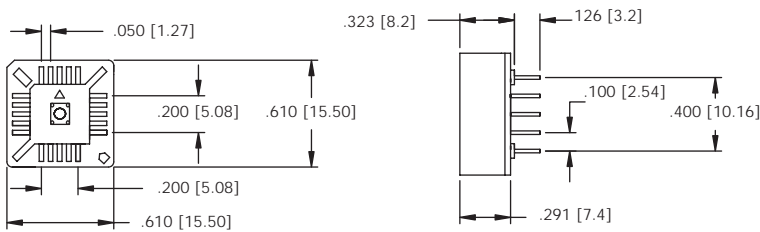
ORDERING INFORMATION

choose one from each category as shown in sample below

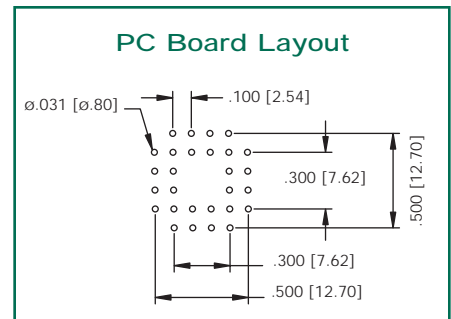
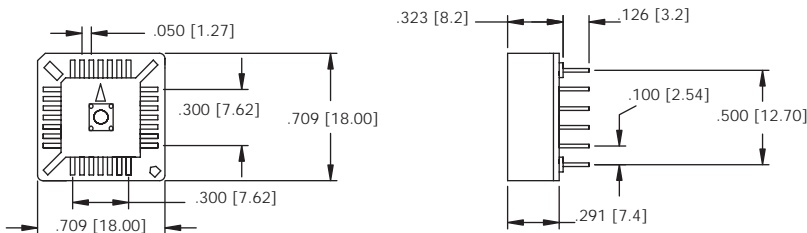
PS	68	T	
Series	Positions	Plating	Options (add as suffix to part number)
PS - Plastic Leaded Chip Carrier Socket	20, 28, 32, 44, 52, 68, 84	T - Tin-plated G - Gold-plated	T - Thin wall type H - High Temp



20P



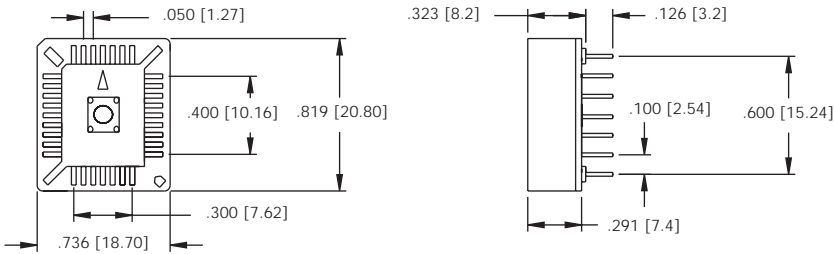
28P



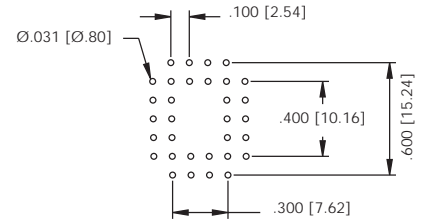
PLCC SOCKET

CHIP CARRIER SOCKET THROUGH HOLE

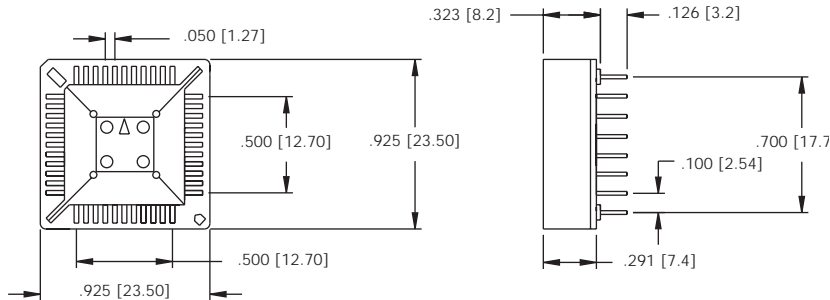
32P



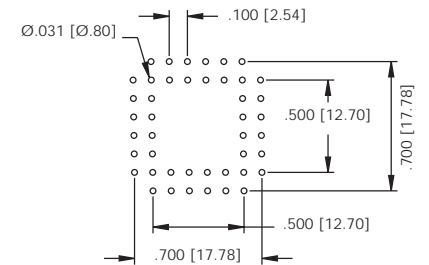
PC Board Layout



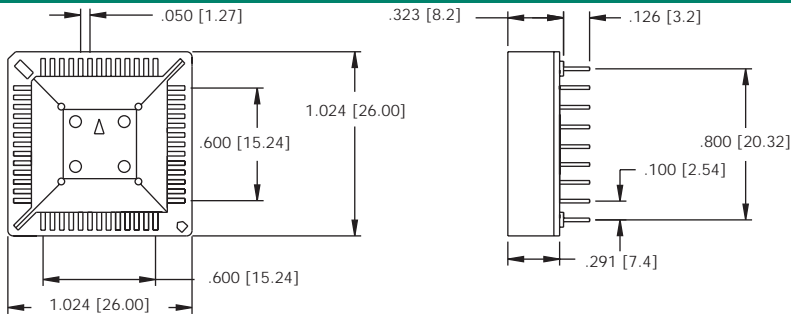
44P



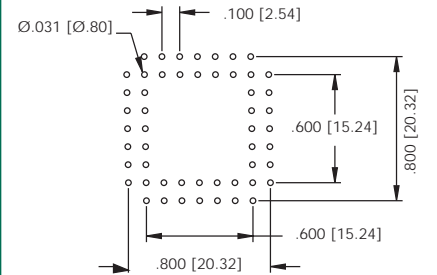
PC Board Layout



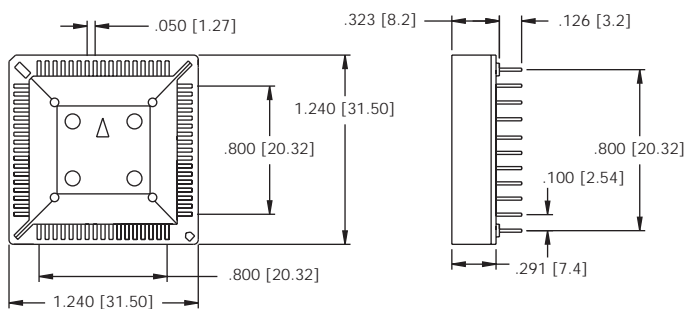
52P



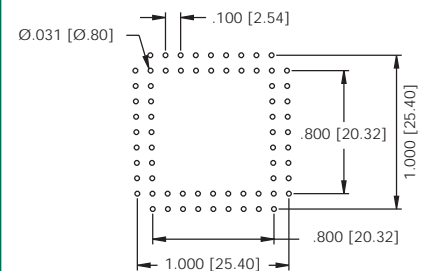
PC Board Layout



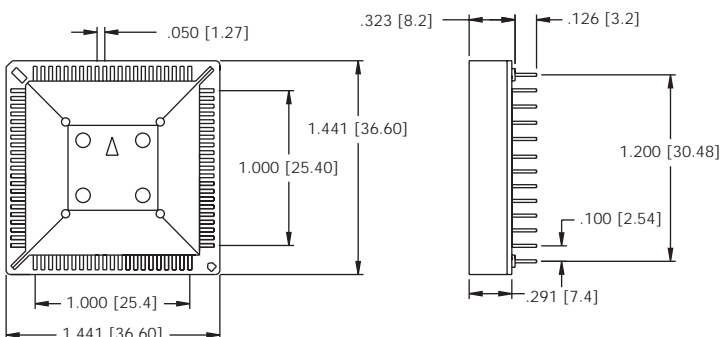
68P



PC Board Layout



84P



PC Board Layout

