

FLAT CABLE IDC PLUGS

FLAT CABLE TRANSITIONS & DIP PLUGS



SPECIFICATIONS

Material:

Insulator: PBT Glass Reinforced Thermoplastic rated UL 94V-0
Insulator color: Black
Contacts: Phosphor Bronze

Plating:

100 μ m bright tin-lead plate over 50 μ m copper underplate or 5 μ m selective gold plating

ORDERING INFORMATION

choose one from each category as shown in sample below

FCG	20	T
Series	Positions	Plating
FCG - .100" Dual Row IDC Flat Cable Plug	8, 10, 12, 14, 16, 20, 24, 26, 30, 34, 40, 44, 50, 56, 60, 62, 64	T - Tin-plated G - Gold-plated
FCW - .300" Dual Row IDC Flat Cable Plug		
FCR - .600" Dual Row IDC Flat Cable Plug		
FCP - .050" Paddle Board		

Electrical:

Operation voltage: 250 VAC max

Current rating: 1 Amp max

Contact resistance: 20 m Ω max

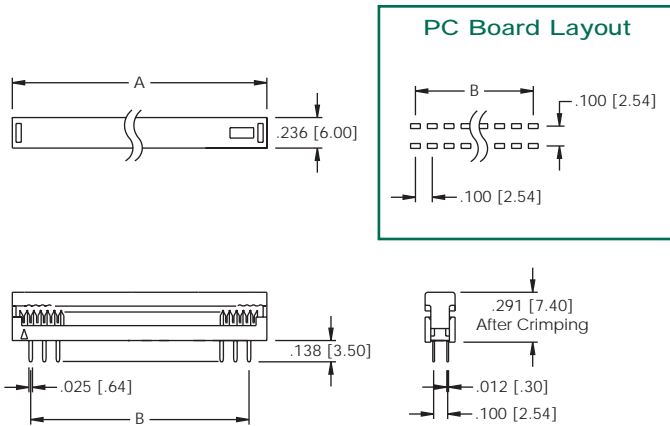
Insulation resistance: 1000 M Ω min @ 600 VDC between adjacent contacts (75°F and 50% R.H.)

Dielectric withstanding voltage: 600 VDC min rms (sea level)

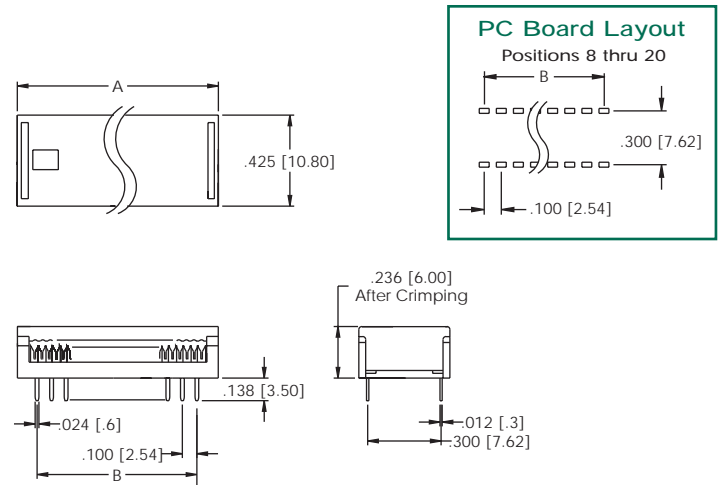
Capacitance: 1.0 pF max between adjacent contacts



FCG .100" DUAL ROW

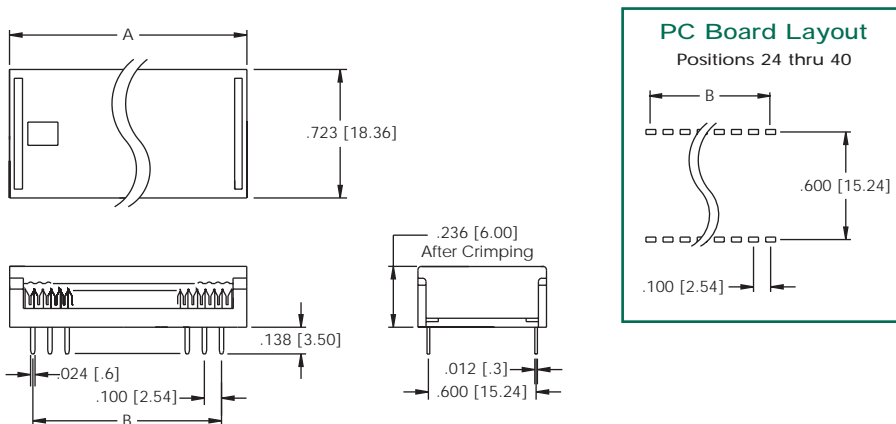


FCW .300" DUAL ROW



FCG Series	8	10	14	16	20	24	26	28	30	34	40	50	60	64
A	.565 (14.35)	.665 (16.89)	.865 (21.97)	.965 (24.51)	1.165 (29.59)	1.365 (34.67)	1.465 (37.21)	1.565 (39.75)	1.665 (42.29)	1.865 (47.37)	2.165 (54.99)	2.665 (67.69)	3.165 (80.39)	3.365 (85.47)
B	.300 (7.62)	.400 (10.16)	.600 (15.24)	.700 (17.78)	.900 (22.86)	1.100 (27.94)	1.200 (30.48)	1.300 (33.02)	1.400 (35.56)	1.600 (40.64)	1.900 (48.26)	2.400 (60.96)	2.900 (73.66)	3.100 (78.74)

FCR .600" DUAL ROW



FCW & FCR SERIES

Pos.	A	B
8	.565 (14.35)	.300 (7.62)
10	.665 (16.89)	.400 (10.16)
14	.865 (21.97)	.600 (15.24)
16	.965 (24.51)	.700 (17.78)
18	1.065 (27.05)	.800 (20.32)
20	1.165 (29.59)	.900 (22.86)
24	1.365 (34.67)	1.100 (27.94)
28	1.565 (39.75)	1.300 (33.02)
32	1.765 (44.83)	1.500 (38.10)
40	2.165 (54.99)	1.900 (48.26)