

# FLAT CABLE SOCKET

.100" X .100" DUAL ROW IDC SOCKET FOR .050" FLAT CABLE



## SPECIFICATIONS

### Material:

**Insulator:** PBT glass reinforced, thermoplastic, rated UL 94V-0  
**Insulator color:** Black  
**Contacts:** Phosphor Bronze

### Plating:

5 µin gold on contact area over 50 µin nickel underplate

### Electrical:

**Operation voltage:** 250 VAC max  
**Current rating:** 1 Amp max  
**Contact resistance:** 20 mΩ max  
**Insulation resistance:** 1000 MΩ min @ 600 VDC between adjacent contacts (75°F and 50% R.H.)  
**Dielectric withstanding voltage:** 600 VDC min rms (sea level)  
**Capacitance:** 1.0 pF max between adjacent contacts



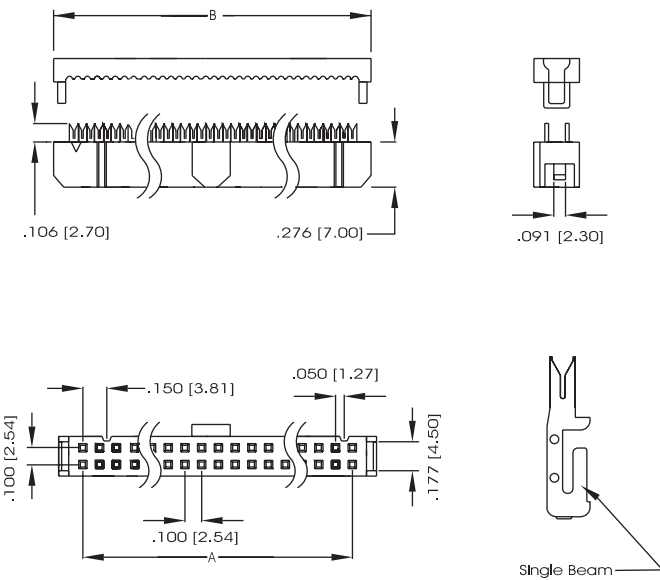
## ORDERING INFORMATION

choose one from each category as shown in sample below

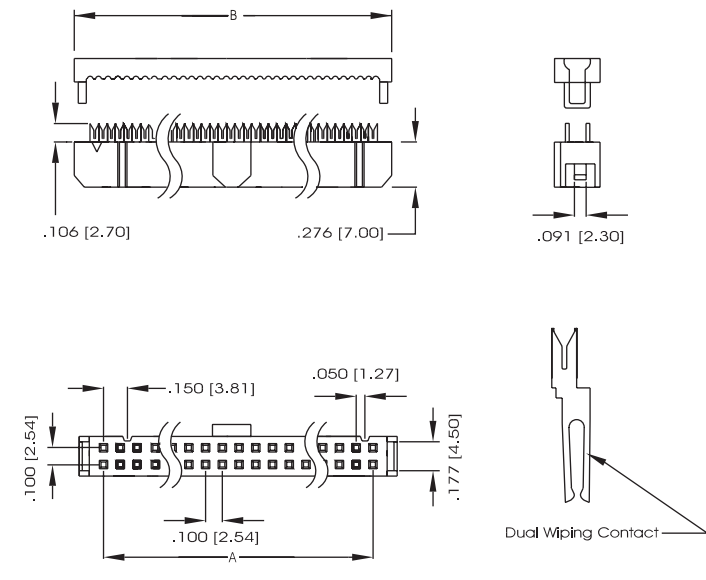
FCA	40	
Series	Positions	Options (add as suffix to part number)
FCA - Dual Row IDC Flat Cable Socket	6, 8, 10, 12, 14, 16, 20, 24, 26, 30, 34, 40, 44, 50, 56, 60, 62, 64	N - No Polarization Bump in Center of Housing
FCD - Dual Row IDC Flat Cable Socket with Dual Wipe Contact		Strain Relief Part No. FCA-SR-XX (XX=no. of pos.)



### FCA & FCD SERIES (EXCEPT 60P / 64P)



### FCD SERIES 60P & 64P



Unit: Inch / mm

POLES	6	8	10	12	14	16	20	24	26	30	34	40	44	50	56	60	62	64
A	0.200 (5.08)	0.300 (7.62)	0.400 (10.16)	0.500 (12.70)	0.600 (15.24)	0.700 (17.78)	0.900 (22.86)	1.100 (27.94)	1.200 (30.48)	1.400 (35.56)	1.600 (40.64)	1.900 (48.26)	2.100 (53.34)	2.400 (60.96)	2.700 (68.58)	2.900 (73.66)	3.000 (76.20)	3.100 (78.74)
B	0.480 (12.19)	0.580 (14.73)	0.680 (17.27)	0.780 (19.81)	0.880 (22.35)	0.980 (24.89)	1.180 (29.97)	1.380 (35.05)	1.480 (37.59)	1.680 (42.67)	1.880 (47.75)	2.180 (55.37)	2.380 (60.45)	2.680 (68.07)	2.980 (75.69)	3.180 (80.77)	3.280 (83.31)	3.380 (85.85)