

.050" & 2.00mm IDC SOCKETS

.050" [1.27] / .079" [2.00] CENTERLINE FLAT CABLE SOCKET

SPECIFICATIONS

Material:

Insulator: PBT Glass Reinforced Thermoplastic rated UL 94V-0
Insulator color: Black
Contacts: Phosphor Bronze

Plating:

5 µin gold on contact area over 50 µin nickel underplate Tin lead on termination area

Electrical:

Operation voltage: 250 VAC max
Current rating: 1 Amp max
Contact resistance: 20 mΩ max
Insulation resistance: 1000 MΩ min @ 600 VDC between adjacent contacts (75°F and 50% R.H.)
Dielectric withstanding voltage: 600 VDC min rms (sea level)
Capacitance: 1.0 pF max between adjacent contacts

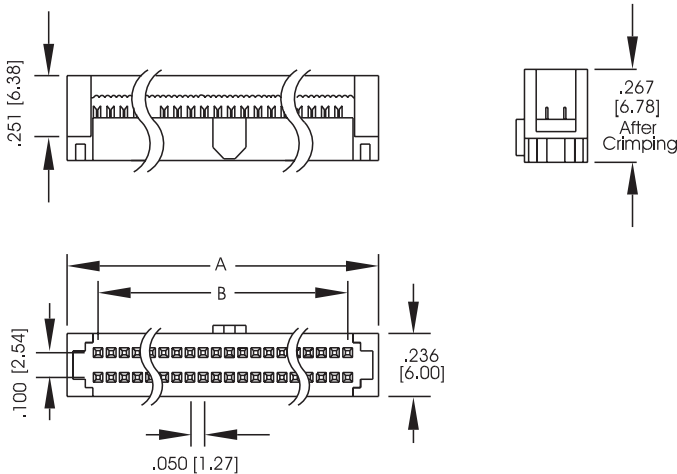


ORDERING INFORMATION

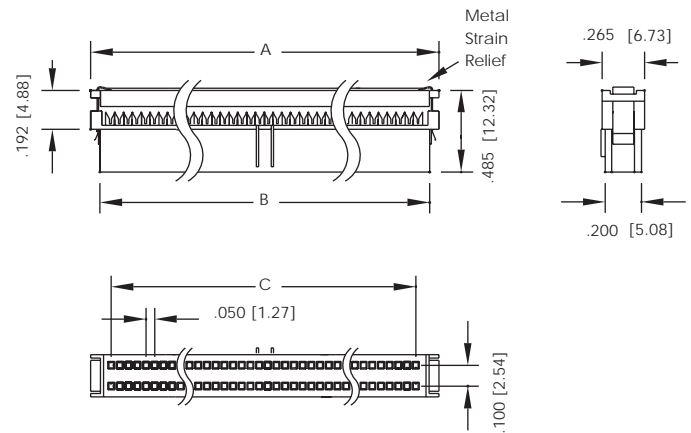
choose one from each category as shown in sample below

FCC Series	50 Positions
FCC - .050" Low Profile Dual Row Flat Cable Socket FCB - .050" Standard Profile Dual Row Flat Cable Socket FCF - 2.00mm Dual Row Flat Cable Socket	10, 20, 30, 40, 50, 60, 68, 70, 72, 80

FCC SERIES



FCB SERIES



FCF SERIES

