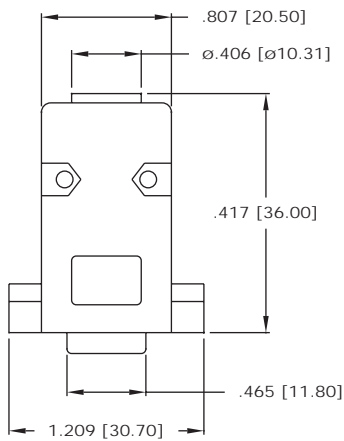
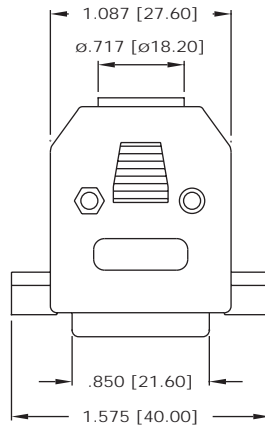


# D-SUB HOODS

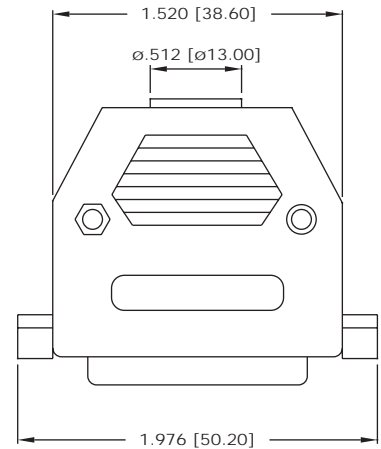
D-SUB HOODS



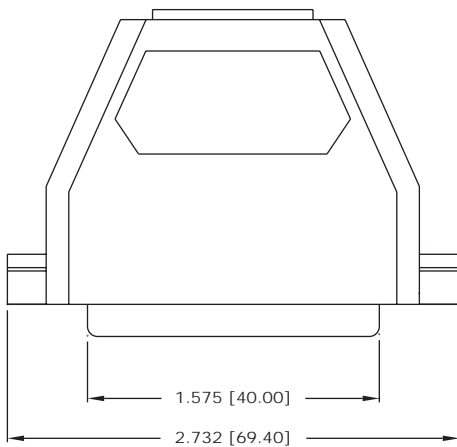
**HD09-XX-XX**



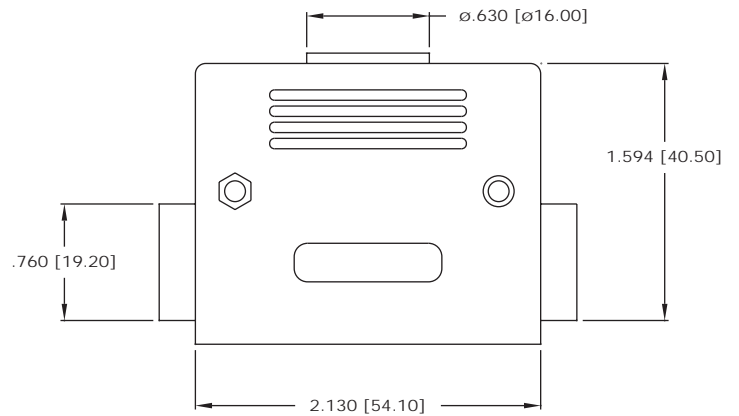
**HD15-XX-XX**



**HD25-XX-XX**



**HD37-XX-XX**

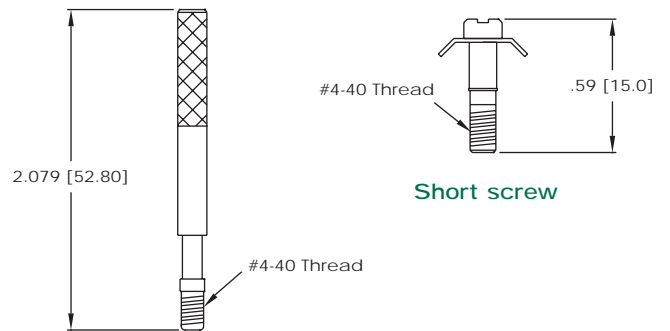


**HD50-XX-XX**

## ORDERING INFORMATION

choose one from each category as shown in sample below

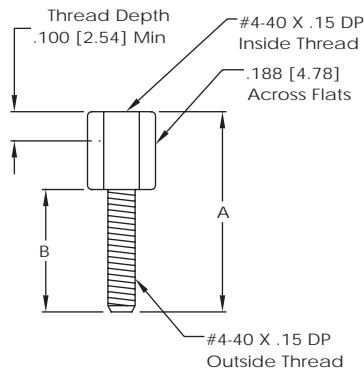
HD09	GP	TS
Series	Hood Color	Hardware
HD09 - 9P Hood	GP - Gray Plastic	SS - Short Screw
HD15 - 15P Hood	BP - Black Plastic	TS - Thumb Screw
HD25 - 25P Hood	CP - Chromed Plastic	
HD37 - 37P Hood	AD - Aluminum Cast	
HD50 - 50P Hood		



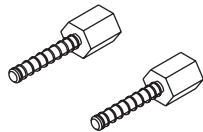
**Thumb screw**

**Short screw**

### Jackscrews

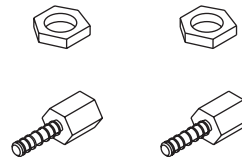


P/N	A	B
HDW-001A	.416 [10.60]	.226 [5.70]
HDW-001B	.467 [11.86]	.270 [6.86]
HDW-001C	.500 [12.70]	.313 [7.95]
HDW-001D	.465 [11.81]	.226 [5.70]



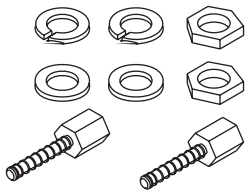
#### HDW-001

Set includes 2 #4-40 female jackscrews



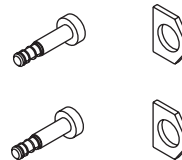
#### HDW-002

Set includes 2 #4-40 female jackscrews and 2 hex nuts



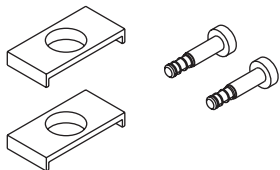
#### HDW-003

Set includes 2 #4-40 female jackscrews 2 flat washers, 2 split washers and 2 hex nuts



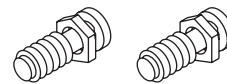
#### HDW-004

Screw retainer clip set includes 2 screw retainer clips and 2 retainer screws



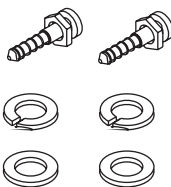
#### HDW-005

Screw lock kit includes 2 screw locks and 2 retainer screws



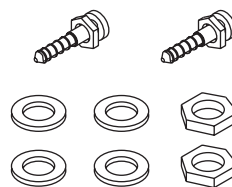
#### HDW-006

Sliding lock posts Set of 2



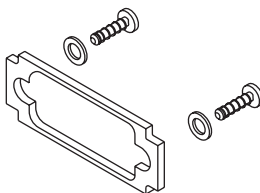
#### HDW-007

Slide lock post set includes 2 posts, washers and lock-washers



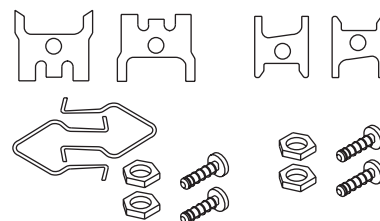
#### HDW-008

Slide lock post kit includes 2 posts, washers and hex nuts



#### HDW-009

Slide lock assembly kit includes slide lock, screws and washers, Specify 9, 15, 25 or 37 position



#### HDW-010

Spring latch set includes 1 pair of spring latches, with holding hardware and 1 pair of notch clips, with holding hardware