

D-SUB

SOLDER CUP

SPECIFICATIONS

Material:

Shell: Steel, tin-plated
Insulator: PBT, glass reinforced thermoplastic, rated UL 94V-0
Insulator color: Black
Contacts: Phosphor Bronze
Hardware: Brass, nickel plated

Plating:

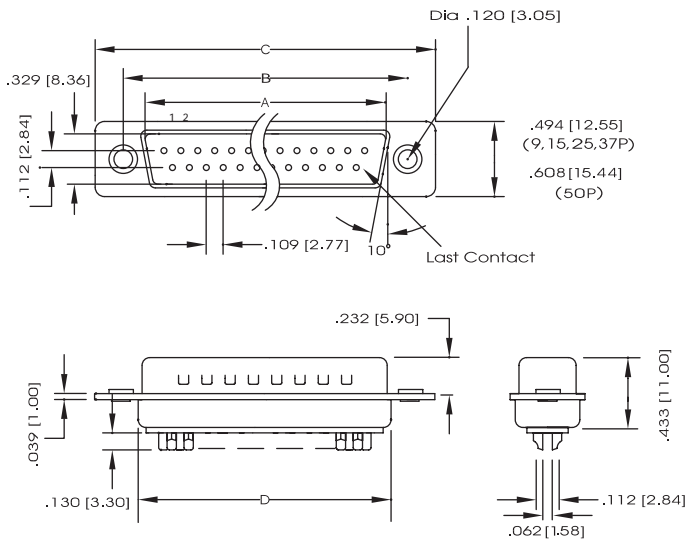
5 µin gold on contact area over 50 µin nickel underplate, gold flash on solder-pins

ORDERING INFORMATION

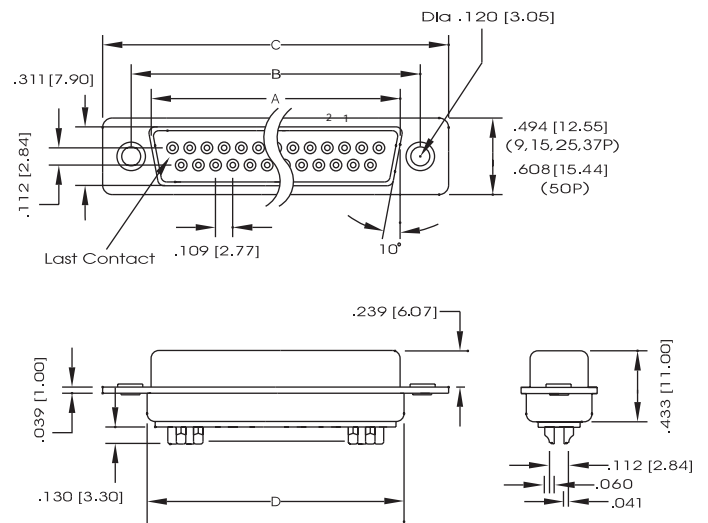
choose one from each category as shown in sample below

DA	9P	
Series	Positions/Gender	Options (add as suffix to part number)
DA D-Sub Solder Cup	Plug: 9P, 15P, 25P, 37P, 50P Socket: 9S, 15S, 25S, 37S, 50S	CN - Clinch nut RJ - Riveted Jack Screw

PLUG



SOCKET



Dimensional: Socket

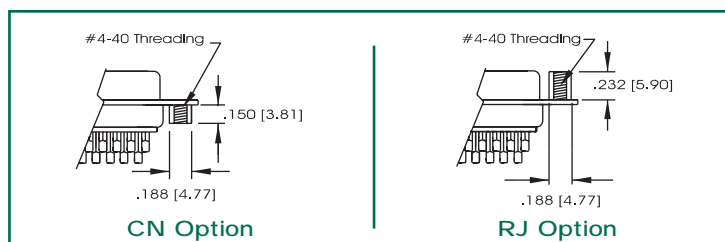
Contacts	A	B	C
9	.643 (16.33)	.984 (24.99)	1.213 (30.81)
15	.971 (24.66)	1.312 (33.32)	1.541 (39.14)
25	1.511 (38.38)	1.852 (47.04)	2.088 (53.04)
37	2.159 (54.84)	2.500 (63.50)	2.729 (69.32)
50	2.064 (52.43)	2.406 (61.11)	2.635 (66.93)

Dimensional: Plug

Contacts	A	B	C
9	.666 (16.92)	.984 (24.99)	1.213 (30.81)
15	.994 (25.25)	1.312 (33.32)	1.541 (39.14)
25	1.534 (38.96)	1.852 (47.04)	2.088 (53.04)
37	2.182 (55.42)	2.500 (63.50)	2.729 (69.32)
50	2.079 (52.81)	2.406 (61.11)	2.635 (66.93)

Unit: inch/mm

MOUNTING OPTIONS



Electrical:

Operation voltage: 250 VAC max
Current rating: 3 Amps max
Contact resistance: 20 mΩ max
Insulation resistance: 3000 MΩ min @ 1000 VDC between adjacent contacts (75° F and 50% R.H.)
Dielectric withstanding voltage: 1000 VAC min rms (sea level)

