

D-SUB

STRAIGHT PCB MOUNT - STANDARD PROFILE

SPECIFICATIONS

Material:

- Shell:** Steel, tin-plated
- Insulator:** PBT, glass reinforced thermoplastic, rated UL 94V-0
- Insulator color:** Black
- Contacts:** Phosphor Bronze
- Hardware:** Brass, nickel plated

Plating:

5 µin gold on contact area over 50 µin nickel underplate, gold flash on solder-pins

ORDERING INFORMATION

choose one from each category as shown in sample below

DB	25S	
Series	Positions/ Gender	Options <i>(add as suffix to part number)</i>
DB - D-Sub Straight PCB Mount Standard height	Plug: 9P, 15P, 25P, 37P, 50P Socket: 9S, 15S, 25S, 37S, 50S	CN - Clinch nut RJ - Riveted Jack Screw BS - Boardsnaps E - Ferrite Filter Attenuation Graph Pg.51
DH - D-Sub Straight PCB Mount High Profile		

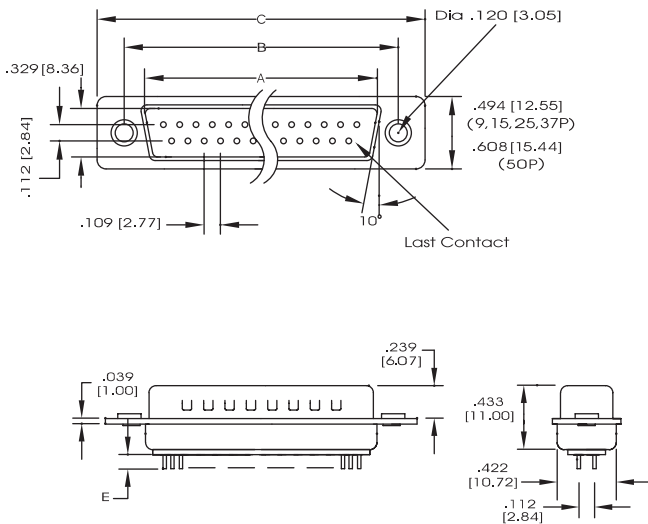


Electrical:

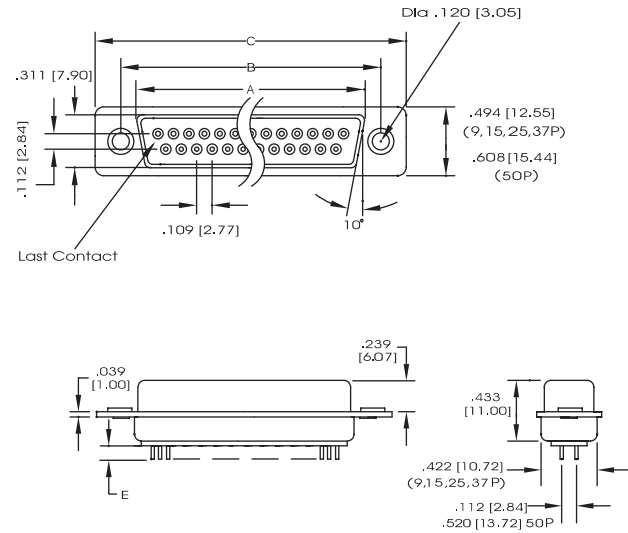
- Operation voltage:** 250 VAC max
- Current rating:** 3 Amps max
- Contact resistance:** 20 mΩ max
- Insulation resistance:** 3000 MΩ min @ 1000 VDC between adjacent contacts (75° F and 50% R.H.)
- Dielectric withstanding voltage:** 1000 VAC min rms (sea level)



PLUG - STANDARD PROFILE



SOCKET - STANDARD PROFILE



MOUNTING OPTIONS

