

# D-SUB

LOW PROFILE STRAIGHT PCB MOUNT

## SPECIFICATIONS

### Material:

**Shell:** Steel, tin-plated  
**Insulator:** PBT, glass reinforced thermoplastic, rated UL 94V-0  
**Insulator color:** Black  
**Contacts:** Phosphor Bronze  
**Hardware:** Brass, nickel plated

### Plating:

5 µin gold on contact area over 50 µin nickel underplate, tin-lead on solder-pins



### Electrical:

**Operation voltage:** 250 VAC max  
**Current rating:** 3 Amps max  
**Contact resistance:** 20 mΩ max  
**Insulation resistance:** 3000 MΩ min @ 1000 VDC between adjacent contacts (75° F and 50% R.H.)  
**Dielectric withstanding voltage:** 1000 VAC min rms (sea level)

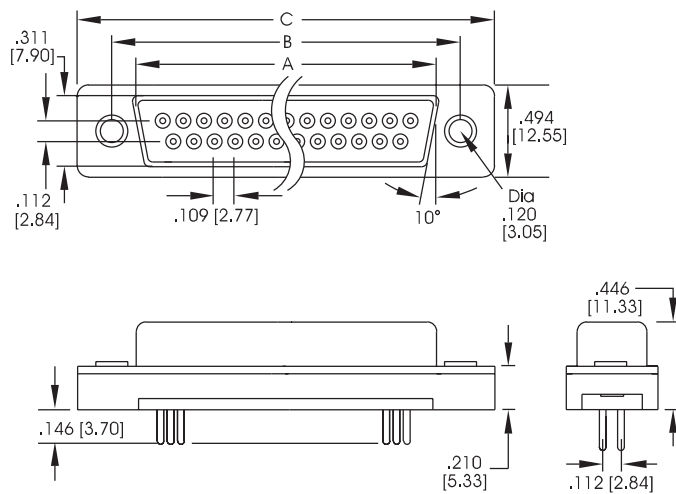


## ORDERING INFORMATION

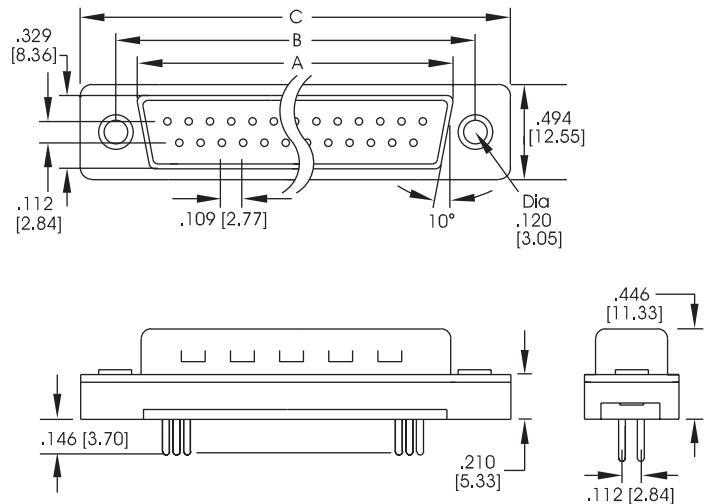
choose one from each category as shown in sample below

DG		9P	Options
Series	Positions/ Gender		
DG - D-Sub Low Profile Straight PCB Mount	Plug: 9P, 15P, 25P Socket: 9S, 15S, 25S		CN - Clinch nut JI - Clinch nut with Jackscrew installed PF - Press Fit Pins

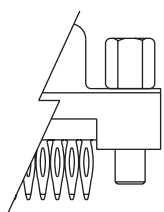
### SOCKET - FLUSH PROFILE



### PLUG - FLUSH PROFILE

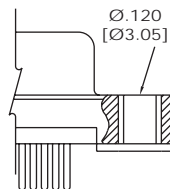


### PRESS FIT OPTION

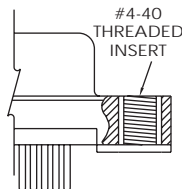


PF Option

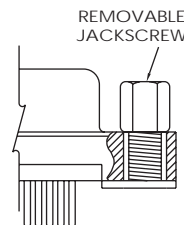
### MOUNTING OPTIONS



Standard



CN Option



JI Option

### PC BOARD LAYOUT

