

2.00mm FUTURE BUS

EIA STANDARD 2.00mm FUTURE BUS

SPECIFICATIONS

Material:

Insulator: LCP rated UL 94V-0

Contacts: Phosphor Bronze

Plating:

5 μ m gold over 50 μ m nickel underplate on contact area and 100 μ m tin-lead on solder-tails



Electrical:

Operation voltage: 250 VAC max

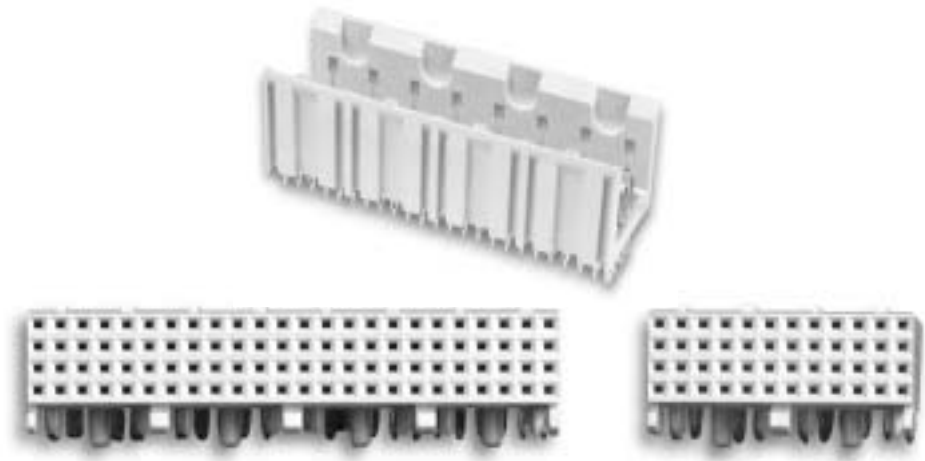
Current rating: 1 Amp max (signal), 3 Amps max (power)

Contact resistance: 20 m Ω max

Insulation resistance: 1000 M Ω min @ 1000 VDC between adjacent contacts (75°F and 50% R.H.)

Dielectric withstanding voltage: 1000 VDC min rms (sea level)

Operating Temperature: -55° C to 125° C

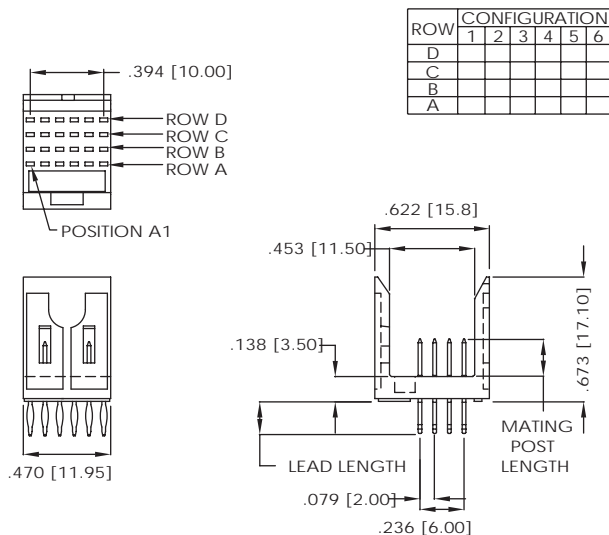


ORDERING INFORMATION

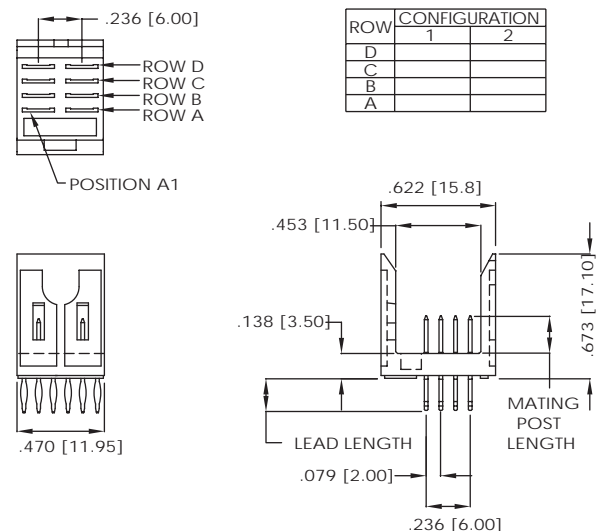
choose one from each category as shown in sample below

FM	HV	60	
Series	Body Type	No. of Contacts	Options
FM - Future Bus Male, Straight PCB Mount FF - Future Bus Female Right Angle PCB Mount	HV - Header Vertical SR - Socket Right Angle	8, 10, 24, 30, 48, 60, 96, 120, 192, 240	15 - 15 μ m gold plating 30 - 30 μ m gold plating * Use Code List on Following Page to designate pin lengths

FM - HV - 24



FM - HV - 08

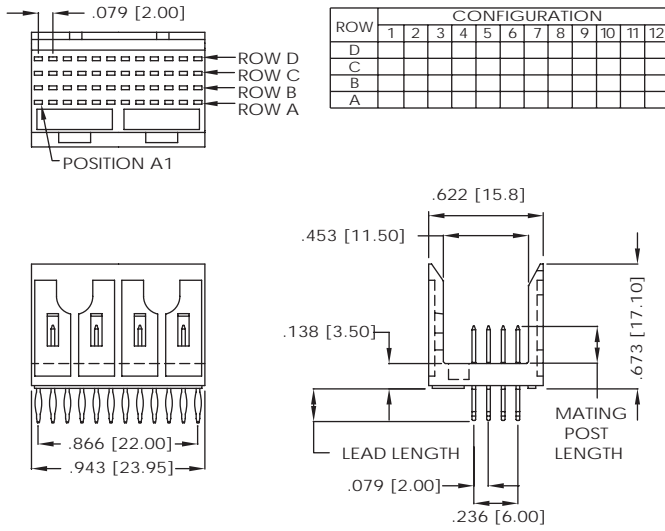


2.00mm FUTURE BUS

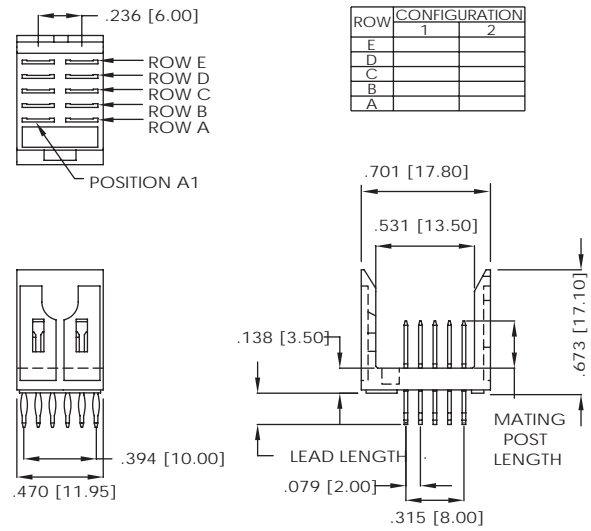
EIA STANDARD 2.00mm FUTURE BUS



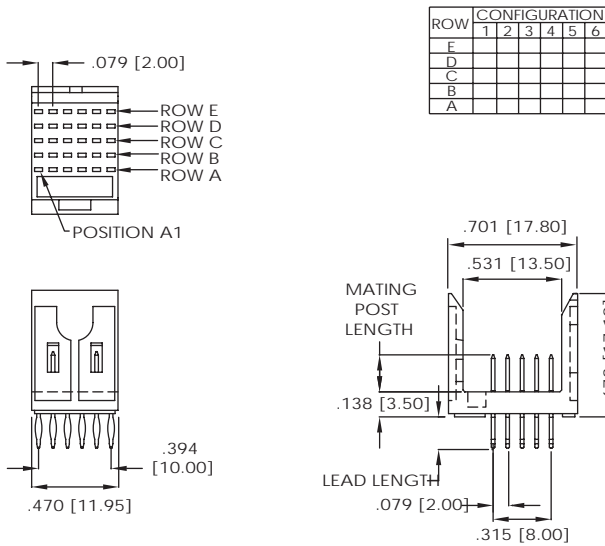
FM - HV - 48



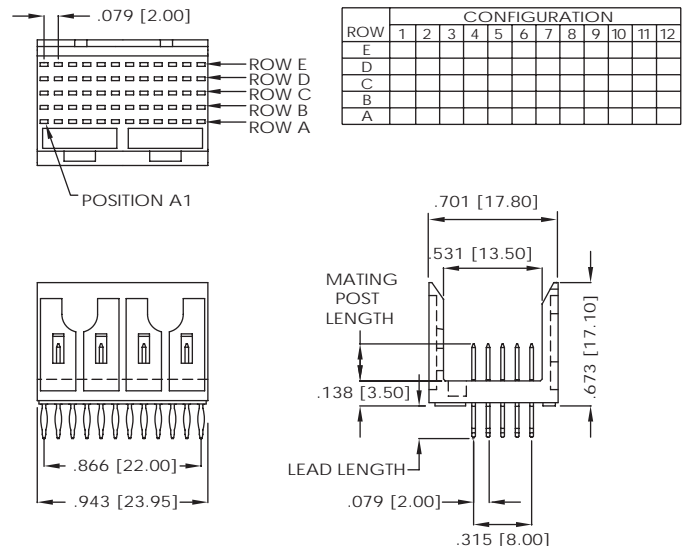
FM - HV - 10



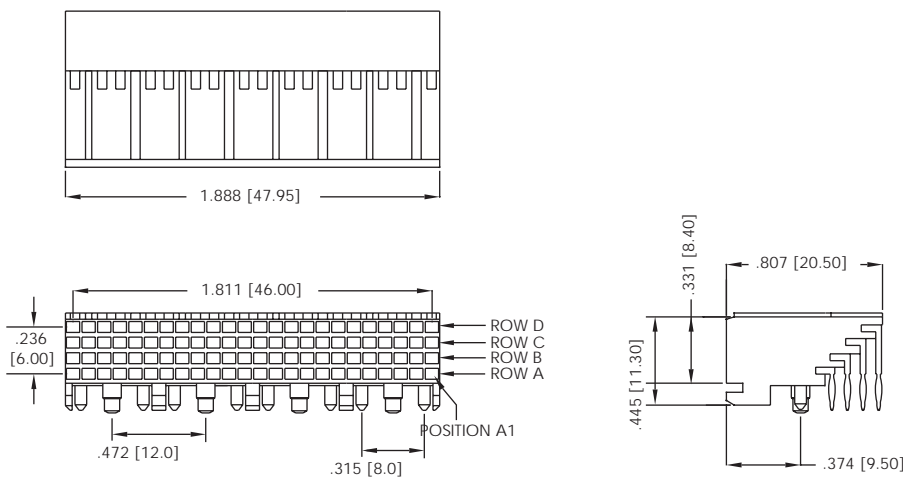
FM - HV - 30



FM - HV - 60



FF - SR - 96



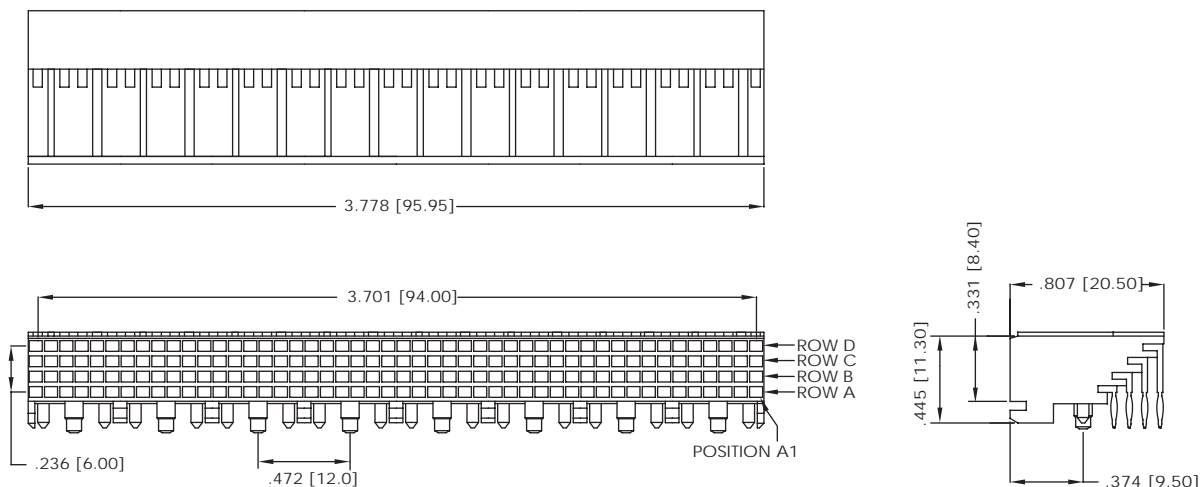
HEADER LENGTH CODE LIST

CODE	CODE LIST FOR PIN LENGTH	
	MATING POST LENGTH	LEAD LENGTH
1	.197 [5.00]	.170 [4.30]
2	.197 [5.00]	.535 [13.60]
3	.197 [5.00]	.670 [17.00]
4	.226 [5.75]	.170 [4.30]
5	.226 [5.75]	.535 [13.60]
6	.226 [5.75]	.670 [17.00]
7	.256 [6.50]	.170 [4.30]
8	.256 [6.50]	.535 [13.60]
9	.256 [6.50]	.670 [17.00]
10	.285 [7.25]	.170 [4.30]
11	.285 [7.25]	.535 [13.60]
12	.285 [7.25]	.670 [17.00]
13	.315 [8.00]	.170 [4.30]
14	.315 [8.00]	.535 [13.60]
15	.315 [8.00]	.670 [17.00]

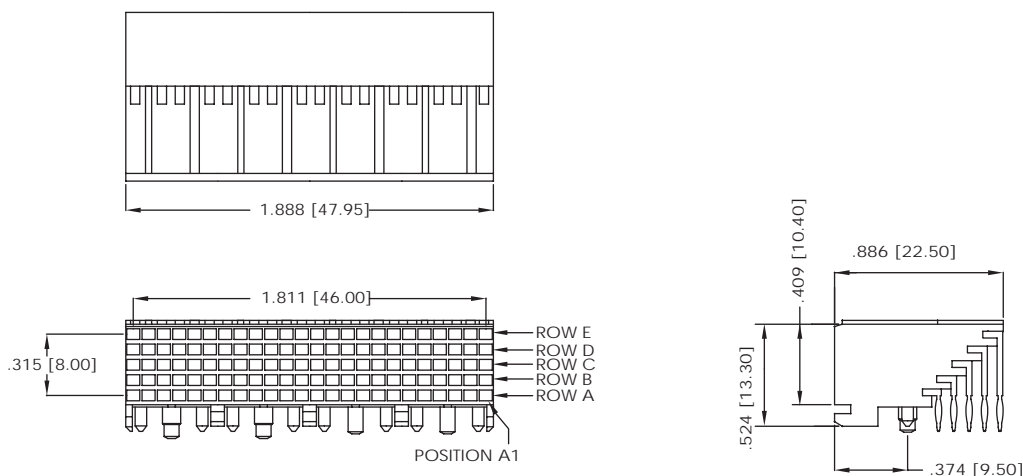
2.00mm FUTURE BUS

EIA STANDARD 2.00mm FUTURE BUS

FF - SR - 192



FF - SR - 120



FF - SR - 240

